

Kennis crane accessories

Junior & Premium clamps

Blue line Junior brick clamp

Hyva Kennis Blue Line light weight brick clamp designed for lighter loads in mind. The clamps comes complete with "stand up bracket", special rubber and slim line clamp legs.

Lifting capacity	2000 kg *)
Number of cylinders	1
Working pressure	175 bar
Standard clamp rubber	straight
Weight	275 kg **)
Colour cylinder	Blue RAL-5017
Colour clamp	Black RAL-9005

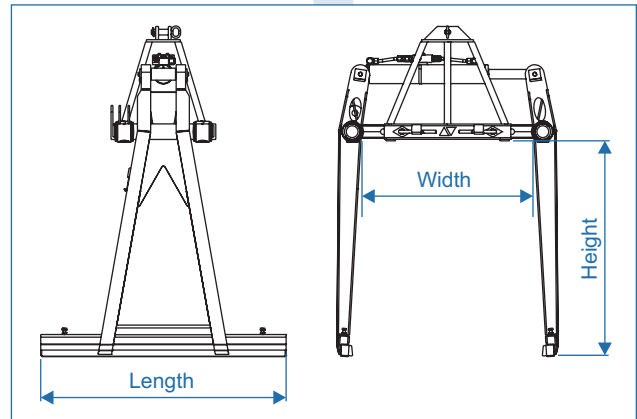
*) The maximum capacity of the clamp decreases when the clamp height is more than 1150 mm. The maximum capacity depends on the surface structure of the load.

**) L = 1000mm & H = 1000 mm



Dimensions & capacities

Part no.	Length (mm)	Height (mm)	Width adjustment (mm)	Capacity*) (kg)
85197031	1000	1000	700 - 1100	2000
85197070	1200	600	700 - 1100	2000
85197071	1200	1000	700 - 1100	2000
85197090	1300	600	700 - 1100	2000
85197091	1300	1000	700 - 1100	2000
85198031	1000	1000	800 - 1300	2000
85198070	1200	600	800 - 1300	2000
85198071	1200	1000	800 - 1300	2000
85198090	1300	600	800 - 1300	2000
85198091	1300	1000	800 - 1300	2000



Blue line Premium brick clamp

Hyva Kennis Blue Line standard brick clamp is suitable for all kinds of activities. The clamps comes complete with "stand up bracket", special rubber and slim line clamp legs.

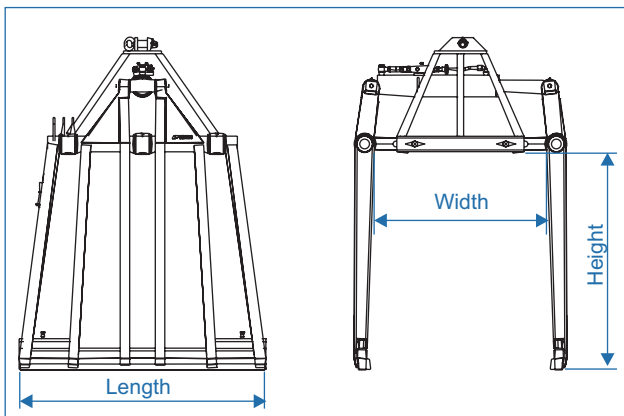
Lifting capacity	3500 kg *)
Number of cylinders	1
Working pressure	200 bar
Standard clamp rubber	straight
Weight	390 kg **)
Colour cylinder	Blue RAL-5017
Colour clamp	Black RAL-9005

*) The maximum capacity of the clamp decreases when the clamp height is more than 1150 mm. The maximum capacity depends on the surface structure of the load.

**) L = 1000mm & H = 1000 mm

Dimensions & capacities

Part no.	Length (mm)	Height (mm)	Width adjustment (mm)	Capacity*) (kg)
85137031	1000	1000	700 - 1100	3500
85137032	1000	1150	700 - 1100	3500
85137070	1200	600	700 - 1100	3500
85137072	1200	1150	700 - 1100	3500
85137090	1300	600	700 - 1100	3500
85137091	1300	1000	700 - 1100	3500
85137092	1300	1150	700 - 1100	3500
85138031	1000	1000	800 - 1300	3500
85138032	1000	1150	800 - 1300	3500
85138070	1200	600	800 - 1300	3500
85138072	1200	1150	800 - 1300	3500
85138090	1300	600	800 - 1300	3500
85138091	1300	1000	800 - 1300	3500
85138092	1300	1150	800 - 1300	3500



Kennis crane accessories

Power & Twin clamps

Blue line Power brick clamp

Hyva Kennis Blue Line brick clamp with reinforced clamp legs is suitable for all kinds of activities. The clamps come complete with "stand up bracket", special rubber and slim line clamp legs.

Lifting capacity	4000 kg *)
Number of cylinders	1
Working pressure	200 bar
Standard clamp rubber	straight
Weight	450 kg **)
Colour cylinder	Blue RAL-5017
Colour clamp	Black RAL-9005

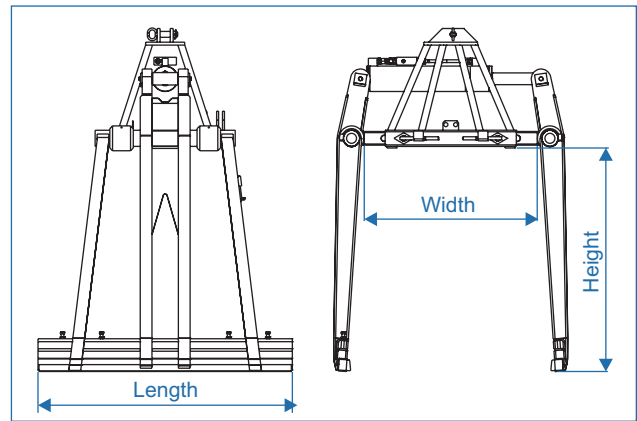
*) The maximum capacity of the clamp decreases when the clamp height is more than 1150 mm. The maximum capacity depends on the surface structure of the load.

***) L = 1000mm & H = 1000 mm



Dimensions & capacities

Part no.	Length (mm)	Height (mm)	Width adjustment (mm)	Capacity*) (kg)
85167031	1000	1000	700 - 1100	4000
85167032	1000	1150	700 - 1100	4000
85167070	1200	600	700 - 1100	4000
85167072	1200	1150	700 - 1100	4000
85167090	1300	600	700 - 1100	4000
85167091	1300	1000	700 - 1100	4000
85167092	1300	1100	700 - 1100	4000
85168031	1000	1000	800 - 1300	4000
85168032	1000	1150	800 - 1300	4000
85168070	1200	600	800 - 1300	4000
85168072	1200	1150	800 - 1300	4000
85168090	1300	600	800 - 1300	4000
85168091	1300	1000	800 - 1300	4000
85168092	1300	1100	800 - 1300	4000



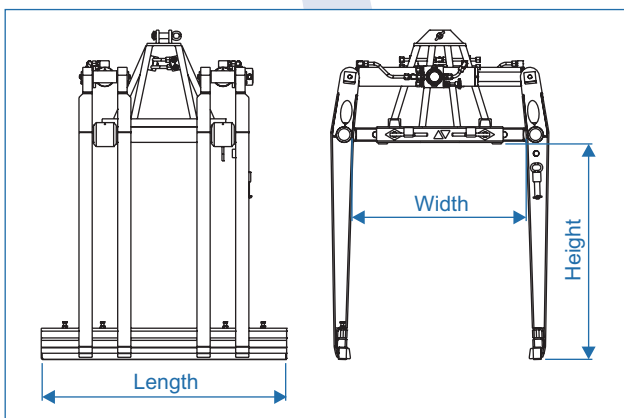
Blue line Twin brick clamp

Hyva Kennis Blue Line 2 cylinder brick clamp is designed for heavy loads. The clamps come complete with "stand up bracket", special rubber and slim line clamp legs.

Lifting capacity	5000 kg *)
Number of cylinders	1
Working pressure	200 bar
Standard clamp rubber	straight
Weight	400 kg **)
Colour cylinder	Blue RAL-5017
Colour clamp	Black RAL-9005

*) The maximum capacity of the clamp decreases when the clamp height is more than 1150 mm. The maximum capacity depends on the surface structure of the load.

***) L = 1000mm & H = 1000 mm



Dimensions & capacities

Part no.	Length (mm)	Height (mm)	Width adjustment (mm)	Capacity*) (kg)
85177031	1000	1000	700 - 1100	5000
85177032	1000	1150	700 - 1100	5000
85177070	1200	600	700 - 1100	5000
85177072	1200	1150	700 - 1100	5000
85177090	1300	600	700 - 1100	5000
85177091	1300	1000	700 - 1100	5000
85177092	1300	1150	700 - 1100	5000
85178031	1000	1000	800 - 1300	5000
85178032	1000	1150	800 - 1300	5000
85178070	1200	600	800 - 1300	5000
85178072	1200	1150	800 - 1300	5000
85178090	1300	600	800 - 1300	5000
85178091	1300	1000	800 - 1300	5000
85178092	1300	1150	800 - 1300	5000

Kennis crane accessories

Power Vario & retaining wall

Blue line Power Vario brick clamp

Hyva Kennis Blue Line Power Vario brick clamp designed for loads with different sizes. The width can be adjusted into any size from 680 to 1220mm by hydraulic means. The clamps comes complete with "stand up bracket", special rubber and slim line clamp legs.

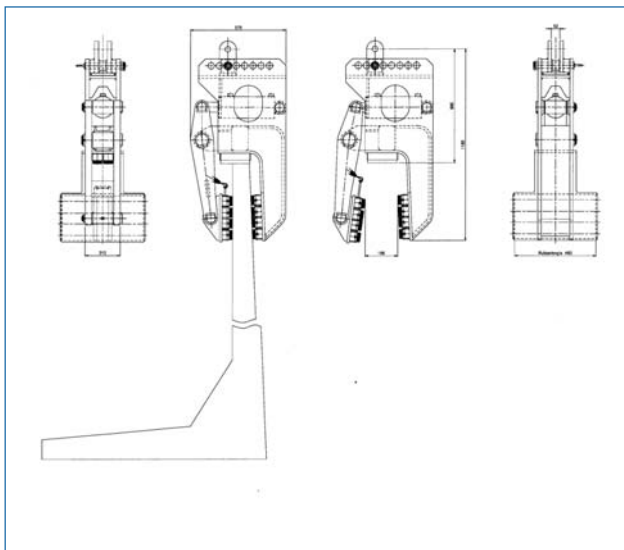
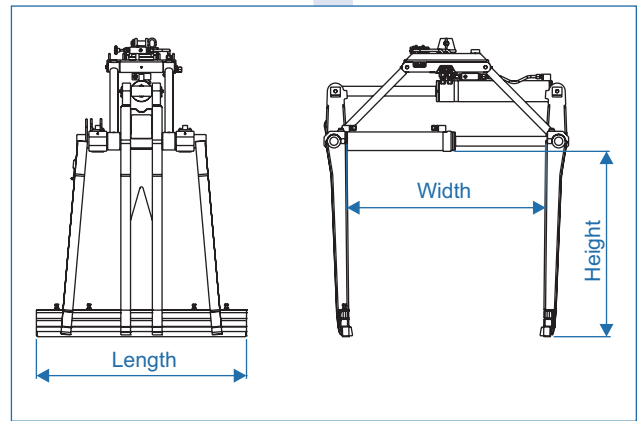
Lifting capacity	4250 kg *)
Number of cylinders	3
Working pressure	175 bar
Standard clamp rubber	straight
Weight	450 kg **)
Colour cylinder	Blue RAL-5017
Colour clamp	Blue RAL-5017

*) The maximum capacity of the clamp decreases when the clamp height is more than 1150 mm. The maximum capacity depends on the surface structure of the load.

**) L = 1000mm & H = 1000 mm

Dimensions & capacities

Part no.	Length (mm)	Height (mm)	Width adjustment (mm)	Capacity*) (kg)
85180031	1000	1000	680 - 1220	4250
85180032	1000	1150	680 - 1220	4250
85180070	1200	600	680 - 1220	4250
85180072	1200	1150	680 - 1220	4250
85180090	1300	600	680 - 1220	4250
85180091	1300	1000	680 - 1220	4250
85180092	1300	1100	680 - 1220	4250



Kennis retaining wall clamp

The clamp is designed to lift retaining walls up to 8000 kg. The retaining wall clamp comes tsandrad with a "center of gravity" adjustment with 8 stages. As an option a mechanical center of gravity adjustment is

Lifting capacity	8000 kg
Weight	150 kg
Colour clamp	Black RAL-9005

Dimensions & capacities

Part no.	Length (mm)	Height (mm)	Width (mm)	Capacity (kg)
85290300	490	1160 - 1320	575	8000



Kennis crane accessories

Height adjustable clamps

Blue line height adjustable clamps

Hyva Kennis Blue Line height adjustable brick clamp is designed for loads with different heights. The clamp is available in different capacities

Lifting capacity HV Junior	2000 - 1350 kg *)
Lifting capacity HV Junior Power	2500 - 1700 kg *)
Lifting capacity HV Power	3500 - 2500 kg *)
Number of cylinders	1
Working pressure	200 bar
Standard clamp rubber	straight
Weight	400-500-550 kg **)
Colour cylinder	Blue RAL-5017
Colour clamp	Black RAL-9005

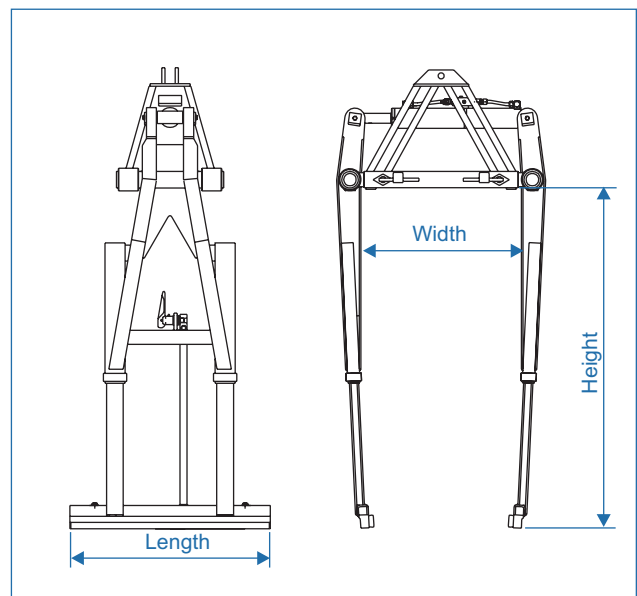
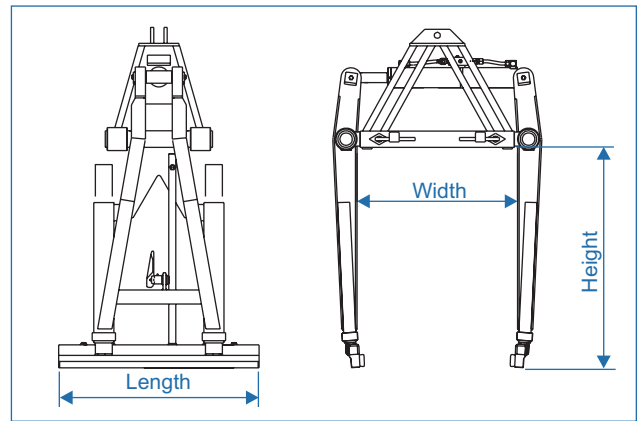
*) The maximum capacity of the clamp decreases when the clamp height is more than 1150 mm. The maximum capacity depends on the surface structure of the load.

***) L = 1000mm & H = 1000 mm



Dimensions & capacities

Part no.	Length (mm)	Height (mm)	Width adjust. (mm)	Capacity*) (kg)
HV Junior				
85157030	1000	1100 - 1700	700 - 1100	2000 - 1350
85157070	1200	1100 - 1700	700 - 1100	2000 - 1350
85158030	1000	1100 - 1700	800 - 1300	2000 - 1350
85158070	1200	1100 - 1700	800 - 1300	2000 - 1350
HV Junior Power				
85157031	1200	1100 - 1700	700 - 1100	2500 - 1700
85157071	1200	1100 - 1700	700 - 1100	2500 - 1700
85158031	1200	1100 - 1700	800 - 1300	2500 - 1700
85158071	1200	1100 - 1700	800 - 1300	2500 - 1700
HV Power				
85157032	1300	1100 - 1700	700 - 1100	3500 - 2500
85157072	1300	1100 - 1700	700 - 1100	3500 - 2500
85158032	1300	1100 - 1700	800 - 1300	3500 - 2500
85158072	1300	1100 - 1700	800 - 1300	3500 - 2500



Kennis crane accessories

Blue line brick clamp

Hyva Kennis Blue line brick clamp accessories

Hyva-Kennis Blue line clamps can be fitted with all kinds of accessories like brick clamp extensions. The most common accessories are mentioned below

Clamp extensions

Technical information

Standard clamping rubber:	Straight
Colour:	Black RAL-9005

Standard clamp extensions for use with Junior, Premium and height adjustable clamps.

Part no. left	Part. nr. right	Length (mm)
85006050	85007050	50
85006100	85007100	100
85006150	85007150	150
85006200	85007200	200

Reinforced clamp extensions for use with Premium, height adjustable, and other Hyva Kennis brick clamps.

Part. no. left	Part. no. right	Length
85016200	85017200	200
85016250	85017250	250
85016300	85017300	300
85016350	85017350	350
85016400	85017400	400
85016450	85017450	450
85016500	85017500	500
85016600	85017600	600



Brick clamp clinker plates

These plates are specially designed to pick up "clinkers". The plates are available in different lengths



Parallel action device

The parallel action device is used when synchronised movement of the clamping legs are needed.



Hand adjusted pressure regulator

With the hand adjustable pressure regulator the pressure in the Clamp cylinder can be regulated into the pressure requested.



Rod for use to pick up "stelcon" plates

This rod is designed to pick up "stelcon" plates with your clamp.

Kennis crane accessories

Palletfork

Palletfork for rotator

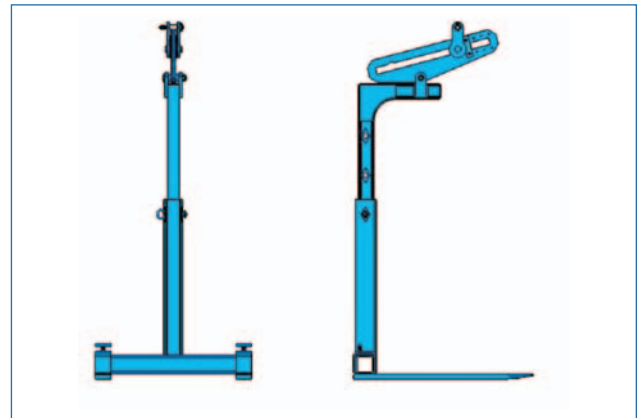
Hyva-Kennis palletfork is to be used with a rotator. The semi automatic hanger bracket enables the user to adjust the center of gravity in loaded or unloaded state. The palletfork is available in two capacities: 2500 kg and 4000 kg.

Lifting capacity	2500 kg	4250 kg
Height adjustment	1250-1500-1750	1250-1500-1750 mm
Width adjustment max.	900 mm	920 mm
Fork length standard	1000 mm	1150 mm
Fork width	80 mm	150 mm
Fork thickness	30 mm	35 mm
Weight	175 kg	185 kg
Colour clamp	Black RAL-9005	Black RAL-9005



Dimensions & capacities

Part no.	Fork Length (mm)	Capacity (kg)
85990003	1000	2500
85990018	1150	2500
85990016	1150	4000



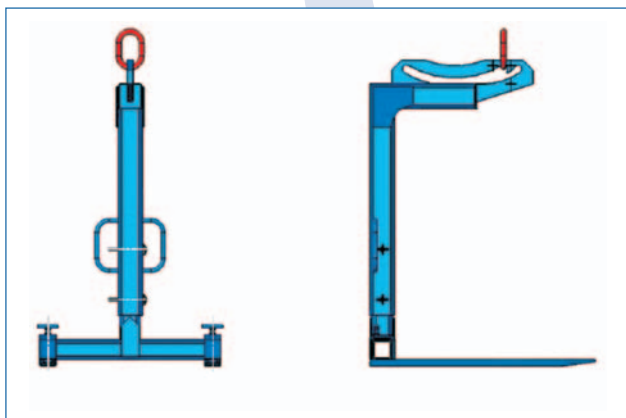
Palletfork for Hook

Hyva-Kennis universal palletfork is to be used with a hook. The palletfork is easy to operate and is available in 2 capacities: 2000 kg and 2500 kg.

Lifting capacity	2000 kg	2500 kg
Height adjustment	1250-1500-1750	1250-1500-1750 mm
Width adjustment max.	920 mm	900 mm
Fork length standard	1000 mm	1150 mm
Fork width	80 mm	100 mm
Fork thickness	30 mm	32 mm
Weight	150 kg	150 kg
Colour clamp	Black RAL-9005	Black RAL-9005

Dimensions & capacities

Part no.	Fork Length (mm)	Capacity (kg)
85993000	1000	2000
85990004	1000	2500



Kennis crane accessories

Swing up palletfork

Hydraulic swing up palletfork for rotator

Hyva-Kennis hydraulic swing up palletfork is designed to rotate the load by 90°. Ideal for delivery through doors and windows. The palletfork is to be used with a rotator.

Lifting capacity	1000 kg *)
Height adjustment	1250-1500-1750 mm
Width adjustment max.	1100 mm
Fork length standard	1150 mm
Fork width	100 mm
Fork thickness	32 mm
Weight	285 kg
Colour clamp	Black RAL-9005

*) Rotating capacity

Dimensions & capacities

Part no.	Fork Length (mm)	Capacity*) (kg)
85990015	1150	1000

